



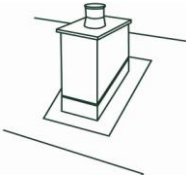
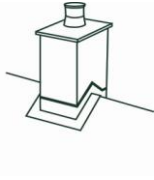





GRP (glass reinforced plastic) CHIMNEY STACKS SPECIFICATION SHEET
(One sheet per chimney type)

1 POT 665mm X 665mm	Standard 1 POT 665mm x 890mm	2 POTS 665mm x 890mm	SPECIAL
			
Special Details:			
Size:	<input style="width:100%;" type="text"/>		
Height:	<input style="width:100%;" type="text"/>		
No. of Pots:	<input style="width:100%;" type="text"/>		

Standard Format	
 Mono Pitch <input style="width:50px; height:20px;" type="text"/>	 Mid Ridge / Apex <input style="width:50px; height:20px;" type="text"/>
Special Format	
 End Ridge / Gable End <input style="width:50px; height:20px;" type="text"/>	
Please note: Gable End format is classed as a special	

Standard Finish		
Brick:	Standard Red <input style="width:40px; height:20px;" type="text"/>	Burnt Red <input style="width:40px; height:20px;" type="text"/>
	White <input style="width:40px; height:20px;" type="text"/>	Cream <input style="width:40px; height:20px;" type="text"/>
Render:		Buff <input style="width:40px; height:20px;" type="text"/>
Special Finish		
Brick colour to match	<input style="width:100%;" type="text"/>	
Render to match	<input style="width:100%;" type="text"/>	
Brick Slips <input style="width:20px; height:20px;" type="checkbox"/>	To be collected from:	<input style="width:100%;" type="text"/>

Pot Colour	
<input style="width:30px; height:20px;" type="text"/>	Terracotta
<input style="width:30px; height:20px;" type="text"/>	Buff
<input style="width:30px; height:20px;" type="text"/>	Black

Roof Pitch (from horizontal)
<input style="width:100%; height:20px;" type="text"/> °

Live Flue Req'd	<input type="checkbox"/>	Yes	Details of live flue including internal diameter <input style="width:100%; height:20px;" type="text"/> <input style="width:100%; height:20px;" type="text"/> <input style="width:100%; height:20px;" type="text"/>
	<input type="checkbox"/>	No	

Delivery Schedule:			
	Delivery 1	Delivery 2	Delivery 3
Quantity	<input style="width:100%;" type="text"/>	<input style="width:100%;" type="text"/>	<input style="width:100%;" type="text"/>
Date Required	<input style="width:100%;" type="text"/>	<input style="width:100%;" type="text"/>	<input style="width:100%;" type="text"/>
Your Reference	<input style="width:100%;" type="text"/>	<input style="width:100%;" type="text"/>	<input style="width:100%;" type="text"/>

Quote to:	<input style="width:100%; height:30px;" type="text"/>		
Delivery to:	<input style="width:100%; height:30px;" type="text"/>		
Spec agreed by:	Name: <input style="width:80%;" type="text"/>	Signature: <input style="width:80%;" type="text"/>	Date: <input style="width:80%;" type="text"/>